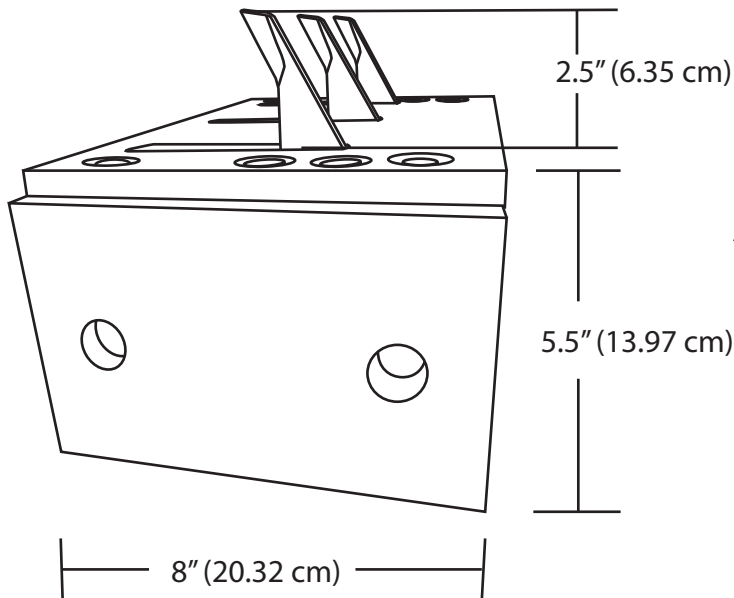
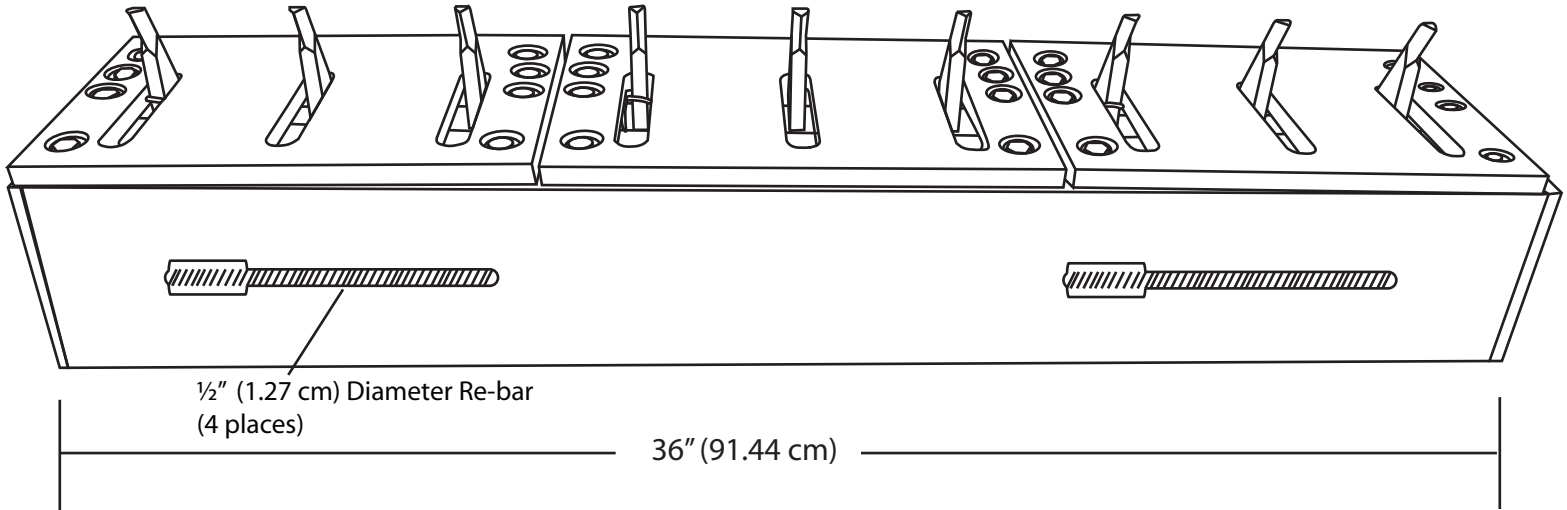
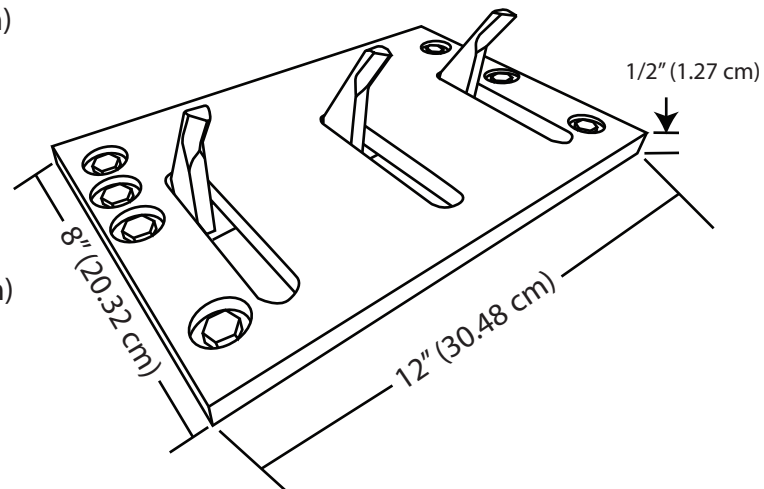


# MODEL RB-723 HD

## DIRECTIONAL TRAFFIC CONTROLLER



END VIEW



### FLUSH MOUNT INSTALLATION

**COLOR: TRAFFIC SAFETY RED**



- Easily installed to existing roadway.
- Minimal excavating to concrete or asphalt surface is required.
- Low profile for smooth passage.
- Fabricated in 3 foot (.91 meter) sections to customize your traffic lane width.
- All welded construction.
- 1/2" (1.27 cm) thick hot rolled steel for "lasting durability".

Load Rated and Approved for Heavy Axle Load Vehicles - 40,000 lbs./20 Tons per single axle load.

(520)780-9751  
www.secure-lane.com

